

H&S PARTS BOOK

S1180 SPREADER



Revision #01
Starting Ser #710594

Part #72938
HSMFG0217

**P.O. BOX 768, MARSHFIELD, WI 54449
(715) 387-3414 FAX (715) 384-5463
www.hsmfgco.com**

CONTENTS

Instructions for Ordering Parts.	1
Figure 1 - Main Frame and Component Parts.	2-5
Figure 2 - Optional Rear Pan.	6
Parts Notes	7-8

INSTRUCTIONS FOR ORDERING PARTS

All service parts should be ordered through your authorized H&S dealer. They will be able to give you faster service if you will provide them with the following

1. Model & Serial number is located on the right side frame behind the transport wheel.
2. All reference to left or right apply to the machine as viewed from the rear.
3. Parts should not be ordered from illustration only. Please order by complete part number.
4. If your dealer has to order parts - give shipping instructions:

VIA truck - large pieces (please specify local truck lines)

VIA United Parcel Service (include full address)

H&S MFG. CO. INC.	
MARSHFIELD, WIS.	
MOD. NO.	<input type="text"/>
SER. NO.	<input type="text"/>
DESCR.	<input type="text"/>

PLEASE RECORD NUMBERS FOR YOUR UNIT FOR QUICK REFERENCE

ABOUT IMPROVEMENTS

H&S IS CONTINUALLY STRIVING TO IMPROVE IT'S PRODUCTS

We must therefore, reserve the right to make improvements or changes whenever it becomes practical to do so without incurring any obligation to make changes or additions to the equipment previously sold.

FIGURE 1

MAIN FRAME AND COMPONENT PARTS

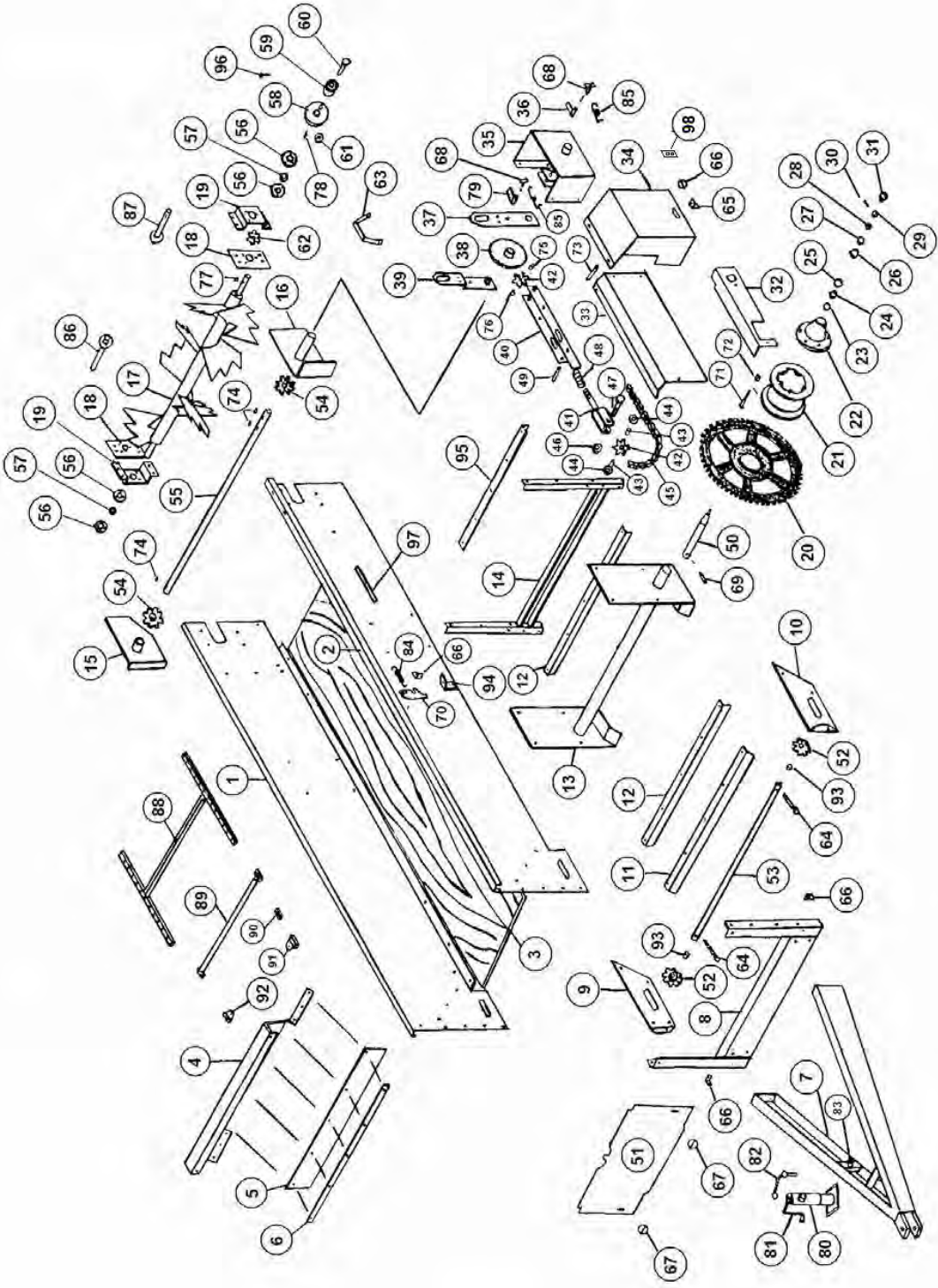


FIGURE 1

MAIN FRAME AND COMPONENT PARTS

<u>ITEM</u>	<u>PART #</u>	<u>DESCRIPTION</u>
1	5N2	RH TUB SIDE
2	5N1	LH TUB SIDE
3	80G20	FLOOR
4	80G2	FRONT PANEL
5	12N69	FRONT SEAL
6	80N66	FRONT SEAL BAND
7	80N14	POLE ASSEMBLY
8	80G3	FRONT SUPPORT
9	5N8	APRON CHAIN TIGHTENER RH
10	5N9	APRON CHAIN TIGHTENER LH
11	80G4	FRONT SHAFT COVER
12	80G5	FLOOR BRACE
13	80G6	AXLE ASSEMBLY
14	80G7	REAR SUPPORT
15	80G8	RH REAR APRON BRACKET
16	80G9	LH REAR APRON BRACKET
17	80G10	BEATER
18	80G11	BEATER MOUNT SEAL
19	5N16	BEATER BRACKET
20	5N40	SPROCKET 41T
21	80G12	HUB DRUM
22	RG101	WHEEL HUB
*	69983	7.60 X 15 TRACTOR LUG TIRE ON 15 X 6 6 BOLT OFF WHITE WHEEL (RH)
*	69990	7.60 X 15 TRACTOR LUG TIRE ON 15 X 6 6 BOLT OFF WHITE WHEEL (LH)
*	5N46	TIRE-TRACTOR LUG
*	RG127	WHEEL 15 X 6
23	12N17	SEAL
24	12N18	INNER BEARING
25	12N19	INNER RACE
26	17G145	OUTER RACE
27	17G146	OUTER BEARING
28	YWFL28010	WASHER, FLAT, SAE, 7/8"
29	YNSL28005	HEX NUT, SLOTTED, 7/8"-14
30	YPCT05020	COTTER PIN, 5/32" X 1-3/4"
31	17G144	HUB CAP
32	5N39	ROTARY SHIELD
33	5N33	STATIONARY SHIELD
34	5N32	REAR SHIELD
35	5N17	LH APRON MECHANISM COVER
36	5N20	HOLDING DOG W/ STRAIGHT ZERK
37	5N13	RECIPROCATOR FACE
38	5N21	RATCHET GEAR
39	5N14	RECIPROCATING ARM
40	5N28	PIVOT ARM
41	5N27	IDLER SPRING BRACKET
42	5N56	IDLER SPROCKET
43	5N31	SLIDING IDLER SPACER
44	YWFL24005	WASHER, FLAT, 3/4" USS
45	5N57	CHAIN
46	YNTL24005	HEX NUT, TOP LOCK, 3/4"-10
47	YBHH24055	BOLT, 3/4" X 3-1/2" GR. 5
48	S109	SPRING
49	5N34	PIVOT ARM SPACER
50	12N16	SPINDLE

FIGURE 1
MAIN FRAME AND COMPONENT PARTS

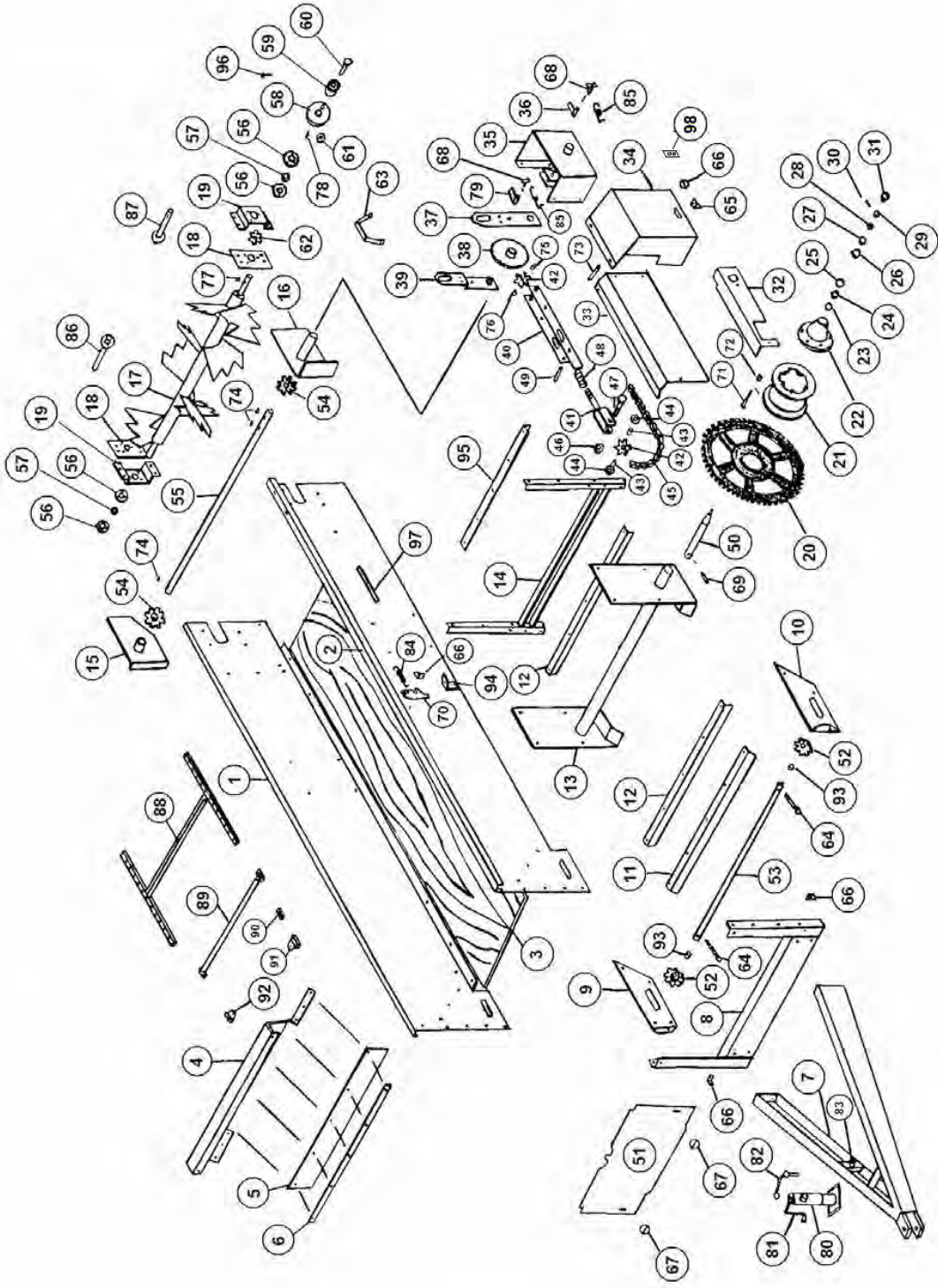


FIGURE 1

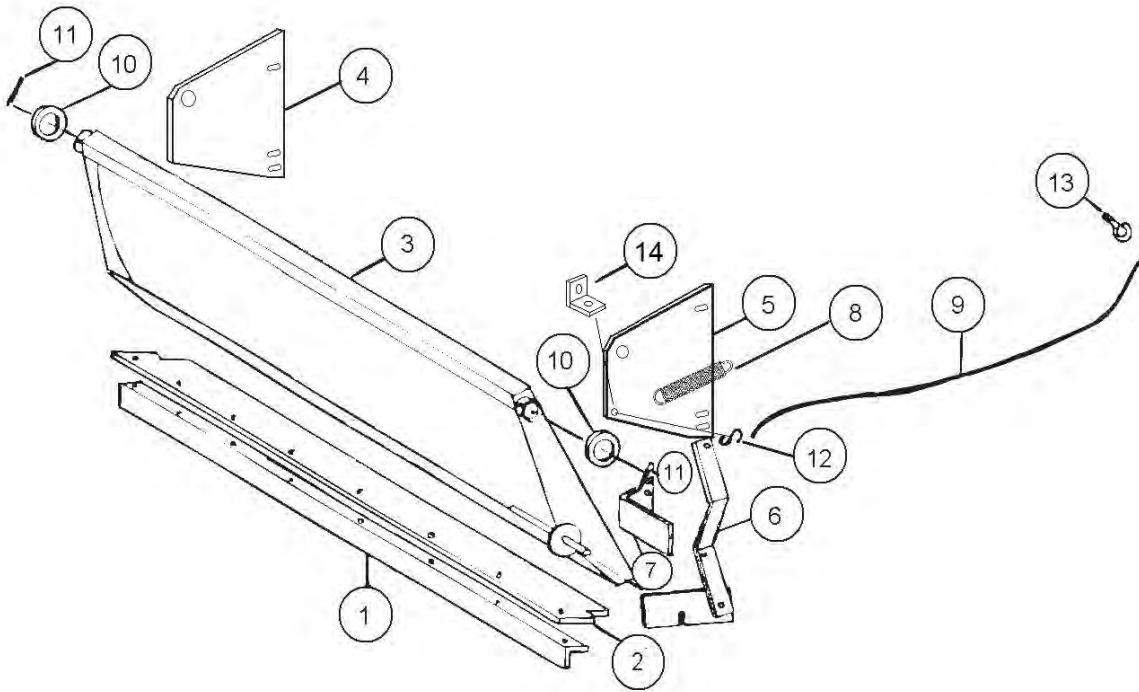
MAIN FRAME AND COMPONENT PARTS

<u>ITEM</u>	<u>PART#</u>	<u>DESCRIPTION</u>
51	80G14	FRONT SHIELD
52	12N65	APRON CHAIN SPROCKET
53	12N67	APRON FRONT SHAFT
54	80N63	APRON DRIVE SPROCKET
55	80G16	APRON DRIVE SHAFT
56	4C7	FLANGE
57	4C8	BEARING WITH LOCK COLLAR
58	5N23	BEATER CAM HUB
59	T66	CAM BEARING
60	YBHH20035	BOLT, 5/8" X 2-1/2" GR. 5
61	YNFG20005	HEX NUT, FLANGED-LOCK, 5/8"-11
62	5N76	BEATER SPROCKET
63	5N50	BEATER MOUNT RE-ENFORCEMENT
64	YBCR16040	CARR. BOLT, 1/2" X 3-1/2" GR. 5
65	5N53	BACK SHIELD ANGLE
66	R26	CHL, V, 1.00 X 1.00 X 0.75
67	S122	LANYARD, CLIP PIN CABLE
68	5N26	DOG PIN
69	YBHH16121	BOLT, HEX, 1/2-13 X 3-1/2, G5, ZC
70	5N35	LATCH
71	YBSD16018	STUD BOLT, 1/2"-20 X 2-1/8"
*	YBSD16005	BOLT, STUD, 1/2-20UNF X 1-7/8 X 3/8, G5, ZC
*	RG254	HUB ASSEMBLY
72	YNWL16005	WHEEL NUT, 1/2"-20 UNF
73	5N36	SHIELD SPACER
74	G12	KEY 5/16" X 1"
75	5N29	OUTSIDE BUSHING
76	5N30	INSIDE BUSHING
77	5B10	KEY 1/4" X 1"
78	S135	KEY
79	5N51	DRIVE DOG W/ 45 DEGREE ZERK
82	12N116	JACK
81	12N119	JACK HANDLE
80	12N117	PIN, 0.56, 5.19, JACK
83	12N121	JACK MOUNT
84	12R3	SPRING
85	23N186	DOG SPRING
86	80G17	RH BEATER STUB SHAFT
87	80G18	LH BEATER STUB SHAFT
88	80G19	APRON CHAIN 67H
89	80N62	SLAT W/ ATTACHMENT LINK 67H
90	11S25	CONNECTOR LINK 67H
91	11S23	ATTACHMENT LINK LH 67H
92	11S24	ATTACHMENT LINK RH 67H FRONT APRON
93	12N66	SHAFT SPACER
94	ST33	ANGLE
95	80G063	DRIVE SHAFT COVER
96	YBHH10080	BOLT, 5/16" X 2-1/2" GR. 5
97	5N73	EDGE GUARD 1/8"
98	F97	SMV BRACKET
*	S522	MANUAL HOLDER

NOTE: * MEANS NOT SHOWN

FIGURE 2

OPTIONAL REAR PAN



ITEM	PART#	DESCRIPTION
1	12N52	PAN ANGLE
2	12N53	PAN RUBBER
3	80N1	PAN
4	80N2	LH PAN PLATE
5	80N3	RH PAN PLATE
6	5N67	PAN HANDLE
7	80N82	PAN HANDLE STOP
8	R27	PAN HANDLE SPRING
9	80N6	TRIP ROPE
10	R3	PAN SPACER
11	YPCT06020	COTTER PIN, 3/16" X 2"
12	R31	S HOOK
13	YBTE12005	TURNT EYE BOLT, 3/8" X 1"
14	R26	CHL, V, 1.00 X 1.00 X 0.75

H&S MFG. CO.

products approved

for the

FEMA

SEAL OF QUALITY

